

---

# LED Floodlight with Yoke

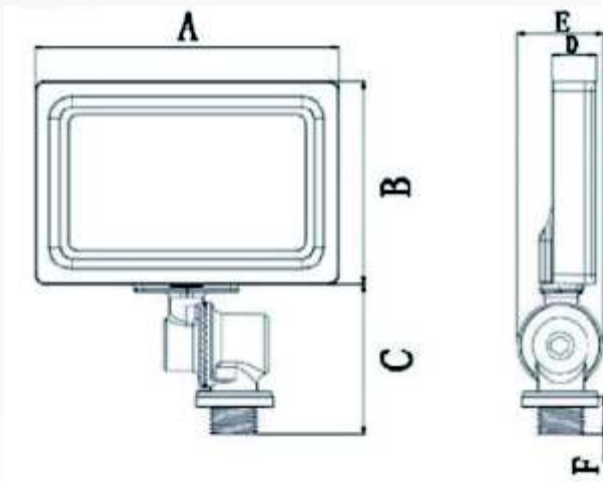
---



## Features

1. cUL & DLC listed with LM79 & LM80;
2. Patented design, ultra-slim, elegant & distinctive appearance;
3. Premium quality SMD LEDs with high lumen output;
4. Quality integrated driver, high driver efficiency  $\geq 87\%$ ,  $PF > 0.9$ ;
5. Excellent heat dissipation by using high purity aluminum alloy;
6. Finish: black;
7. High waterproof rate IP65 for outdoor usage;
8. High uniformity on lamp direction, lamp can be adjustable to suitable position by angle indicate line;

## Dimension



### Notes:

1. All dimension units are millimeters.
2. All dimension tolerance is  $\pm 1\text{mm}$  unless otherwise noted

Model	A(mm)	B(mm)	C(mm)	D(mm)	E(mm)	F(mm)
NXSFL01-10W	135	90	66.8	19.5	38	16.5
NXSFL02-20W	190	130	66.8	23.5	38	16.5
NXSFL03-30W	240	165	66.8	29.5	38	16.5
NXSFL05-50W	300	210	66.8	36	38	16.5

Model	NXSFL01-10W	NXSFL02-20W	Nw L03-30W	NXSFL05-50W
Working Voltage	AC120V	AC120V	AC100-277V	AC100-277V XSF
Luminous Efficiency	110lm/	110lm/w	120lm/w	120lm/w
Certificate	DLC, cUL, FCC			
Housing	Die-cast aluminum			
Finish	Black		Temperature	
Color Rendering Index	Ra > 80			
Power Factor	PF>0.9			
Beam Angle	110 Degree			
Optical system	Toughened glass + Reflector			
Environment	Suitable for Wet locations			
Life-span(hrs)	≥50000H			
Operating Temperature	-20 °C ~ +40 °C			
Storage	-30 °C ~ +50 °C			

## Applications

■ Widespread use in Family, School	■ Office, Showing Room, Meeting Room
■ Commercial Building, Tower, Hotel, Restaurant	■ Factory, Production Line, Warehouse
■ Pathway lighting, Street lighting	■ Subway station, bus and train

