

# SPECIFICATION

# NEXLEDS®

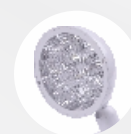
NEXLEDS LTD



**IP65**



**2x3W**



**LED WATER PROOF DOUBLE REMOTE HEAD**

**NX-EMRHD3WWP**

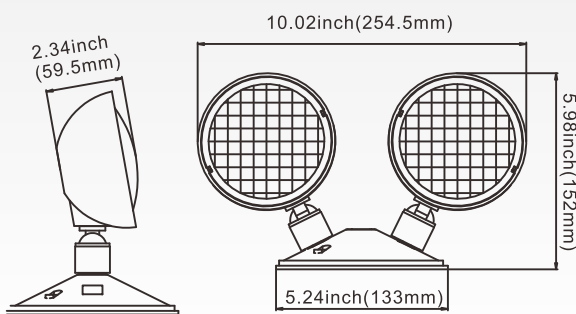
## Specification

PRODUCT NAME :	LED WATER PROOF DOUBLE REMOTE HEAD
MODEL NO. :	NX-EMRHD3WWP
SPECIFICATION :	DC 5V-12V; 2*3W
WORKING TEMP :	0-30°C
POWER FACTOR :	0.95
CRI(RA) :	>85
COLOR :	White Color
LIGHT SOURCE :	SMD
LUMEN :	280 Lm per head
LIFE TIME :	50000 hrs
PRODUCT SIZE :	10.0*2.34*5.98 inch
IP :	IP65
APPLICATION :	Shop, Hotel ...etc
WARRANTY :	5 years
STANDARD :	CSA
COLOR TEMP :	6500K

## Feature:

- \* Super Bright LED Light Source
- \* 3W per head
- \* Adjustable heads
- \* 6-12V universal voltage
- \* CUL approved
- \* Universal Mounting: ceiling mounting, Wall mounting
- \* Suitable for wet locations

## Product Dimension



## Applications:

Suitable for commercial and institutional place:  
Apartment, hotel, shop, office, school, hospital  
...etc.



Hotel

Shop

Office

## Warning:

- 1 Read and follow all safety instructions.
- 2 Do not let power cords touch hot surfaces.
- 3 Do not install near gas or electric heaters.
- 4 The use of accessory equipment not recommended by manufacturer, may cause an unsafe condition, and will void the unit's warranty.
- 5 Do not use this equipment for other than its intended purpose.
- 6 Servicing of this equipment should be performed by qualified service personnel.
- 7 Save these instructions for future reference. 8 For indoor use ONLY.

