

SPECIFICATION

NEXLEDS®

NEXLEDS LTD



5W / 7W



LED SINGLE REMOTE HEAD

NX-EMRHS5W / NX-EMRHS7W

Specification

PRODUCT NAME :	LED SINGLE REMOTE HEAD
MODEL NO. :	NX-EMRHS5W / NX-EMRHS7W
SPECIFICATION :	DC 5V-12V; 5W / 7W
WORKING TEMP :	0-30°C
POWER FACTOR :	0.95
CRI(RA) :	>85
COLOR :	White Color
LIGHT SOURCE :	SMD
LUMEN :	469 Lm / 584 Lm
LIFE TIME :	50000 hrs
PRODUCT SIZE :	5.0*2.84*5.51 inch
IP :	IP20
APPLICATION :	Shop, Hotel ...etc
WARRANTY :	5 years
STANDARD :	CSA
COLOR TEMP :	6500K



www.nexleds.ca



Email: sales@nexleds.ca

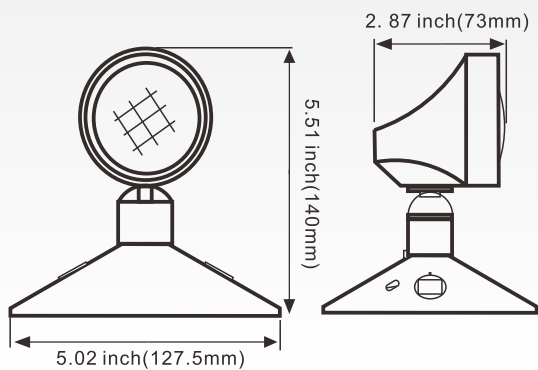
NEXLEDS®

NEXLEDS LTD

Feature:

- * Super Bright LED Light Source
- * 5W / 7W per head
- * Adjustable heads
- * 6-12V universal voltage
- * CSA approved
- * Universal Mounting: Ceiling mounting, Wall mounting
- * Suitable for damp locations

Product Dimension



Applications:

Suitable for commercial and institutional place:
Apartment, hotel, shop, office, school, hospital
...etc.



Warning:

1. Read and follow all safety instructions.
2. Do not let power cords touch hot surfaces.
3. Do not install near gas or electric heaters.
4. The use of accessory equipment not recommended by manufacturer, may cause an unsafe condition, and will void the unit's warranty.
5. Do not use this equipment for other than its intended purpose.
6. Servicing of this equipment should be performed by qualified service personnel.
7. Save these instructions for future reference