

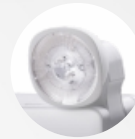
SPECIFICATION

NEXLEDS®

NEXLEDS LTD



2X1.2W



Video



LED EMERGENCY LIGHT COMBO

NX-EMRMCUP

Specification

PRODUCT NAME :	LED Emergency Light Combo (Running Man Sign)
MODEL NO. :	NX-EMRMCUP
SPECIFICATION :	AC120-347V; 60Hz; 80mA; 4.5W
WORKING TEMP :	-0-40(°C)
CRI(RA) :	>80
COLOR :	White Color
LIGHT SOURCE :	SMD
LIFE TIME :	50000 hrs
BATTERY :	Ni-CD battery (3.6V 1800mAh)
SELF-POWERED:	120mins
PRODUCT SIZE :	13.58*2.32*9.05 inch
IP :	Suitable for Damp Locations
APPLICATION :	Shop, Hotel ... etc
WARRANTY :	5 years fixture, 2 years battery.
STANDARD :	cUL
COLOR TEMP :	6500K



www.nexleds.ca



Email: sales@nexleds.ca

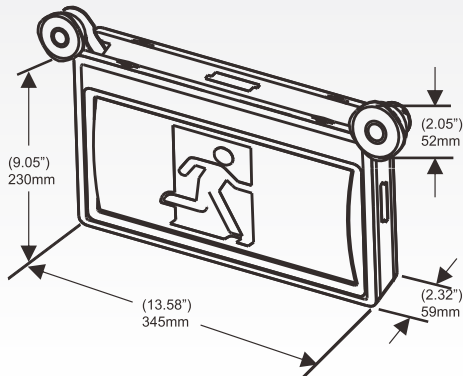
NEXLEDS®

NEXLEDS LTD

Feature:

- *Super Bright LED Light Source
- *1.2W per head
- *Nexleds custom patent design heads
- *Combo heads adjustable
- *127-347V universal voltage
- *Two wire design for easy installation
- *Double LED Strip for even light distribution
- *Ni-Cad Battery
- *UL approved 120 mins battery backup time
- *Universal Mounting: Ceiling Mounting, Wall mounting and End mounting;
- *Single/Double side installation
- *Suitable for damp locations
- *Comes with 3pcs pictograms (without arrow, with left arrow and with right arrow)

Product Dimension



Applications:

Suitable for commercial and institutional place:
Apartment, hotel, shop, office, school, hospital
...etc.



Warning:

- Review the diagrams thoroughly before beginning.
- All electrical connections must be in accordance with local codes, ordinances and the National Electrical Code.
- Disconnect power at fuse or circuit breaker before installation or service.
- Do not use outdoors.
- Do not mount in hazardous locations or near gas or electric heaters.
- Do not let power cords touch hot surfaces.
- Equipment should be mounted in locations and at certain height where it will not be subject to tampering by unauthorized personnel.
- The use of accessory equipment is not recommended by the manufacturer
- Do not use this equipment other than intended use.
- Allow battery to charge for 48 hours before first use.
- All service should be performed by qualified personnel only.

