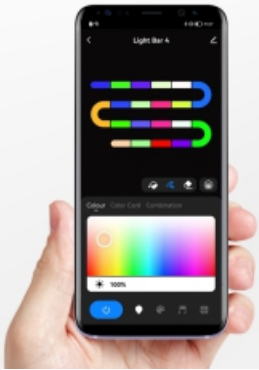
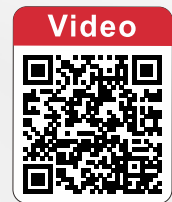


SPECIFICATION

NEXLEDS[®]
NEXLEDS LTD



COLOR Changing
RGB+(2700~6500K)



Smart Light Bar

NX-PDL-12W-RGBCW 12W

Specification

PRODUCT NAME :	Smart Light Bar
MODEL NO. :	NX-PDL-12W-RGBCW
SPECIFICATION :	AC100-240V; 12W
WORKING TEMP :	-20°C~40°C (-4°F to 104°F)
COLOR :	Black Color
MATERIAL :	PC
LIGHT SOURCE :	LED
LIFE TIME :	25,000 hrs
BEAM ANGLE :	120°
PRODUCT SIZE :	3.46 x 2.28 x 11.22 inch
IP :	IP20
APPLICATION :	Bedroom, Living Room, Gaming Room, Party Decor
WARRANTY :	25,000 hrs
STANDARD :	FCC
COLOR TEMP :	RGB + (2700~6500k)
COMPATIBILITY :	Tuya Smart, Siri
MAX COLORS :	16.7 Million
CONTROL MODE:	Bluetooth + Wifi (2.4GHz)

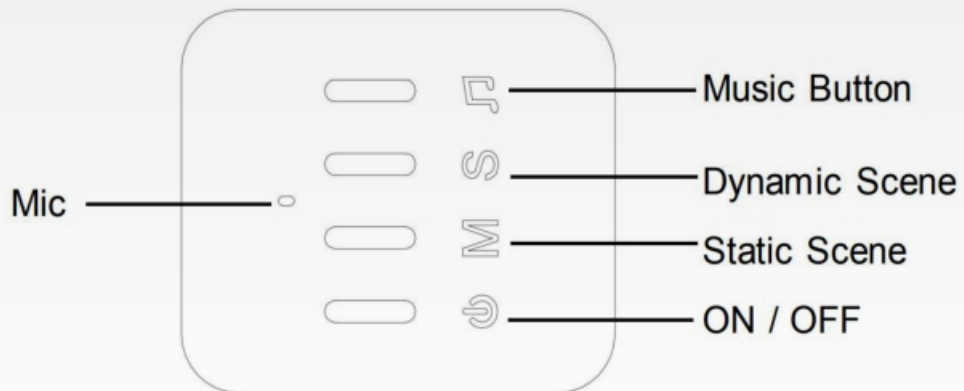
Product Dimension



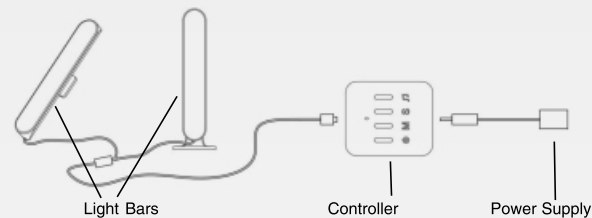
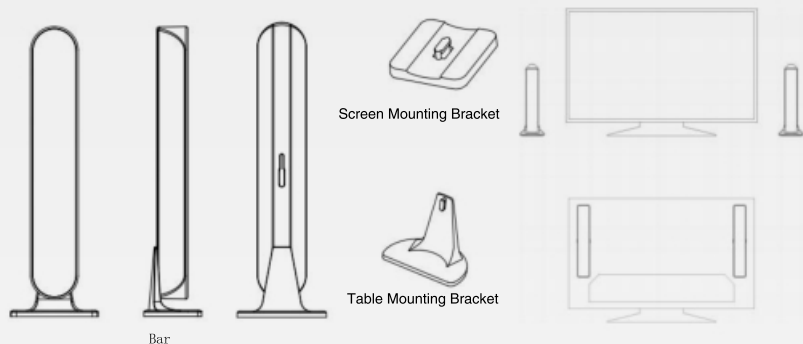
Application:



Instruction For Controller :



Installation:



2. Power on the adapter, and then connect it to the controller.
3. Installation completed!

1. Place the light bars on both sides of the table or mount them to the TV screen with the mounting bracket.

Safety Instructions

Read and follow the safety instructions below.

1. The light bars are not waterproof. Avoid exposing them to splashes or drops of water.
2. The working temperature should be between -20°C to 40°C (-4°F to 104°F).
3. The internal light source of the light bars cannot be replaced. If damaged, the light bars must be replaced.
4. Do not let children install the light bars alone.
5. Avoid installing the light bars near heat sources.
6. External dimmers cannot be used with the light bars.
7. Avoid installing the light bars near potentially dangerous sources (e.g., candles, liquid-filled objects).

Packing/Weight

Model	Inner Box			
	Size(mm)	N.W.(kg)	G.W.(kg)	Qty(pcs)
NX-PDL-12W-RGBCW	275x104x104	0.5	0.6	2

Model	Master Carton			
	Size(mm)	N.W.(kg)	G.W.(kg)	Qty(box)
NX-PDL-12W-RGBCW	574x329x342	10	11	18