

SPECIFICATION

NEXLEDS[®]
NEXLEDS LTD



3500K-4000K-5000K

Changeable

40W-30W-20W

Changeable

80W-60W-40W

Changeable

100W-80W-60W

Changeable



VIDEO

LED Canopy Light

NX-GPS4-40/30/20W-H-MV-TCP(XX)-Y

NX-GPS4-80/60/40W-H-MV-TCP(XX)-Y

NX-GPS4-100/80/60W-H-MV-TCP(XX)-Y

Specification

Product Name :	LED Canopy light		
Model NO. :	NX-GPS4-40/30/20W-H-MV-TCP(XX)-Y	NX-GPS4-80/60/40W-H-MV-TCP(XX)-Y	NX-GPS4-100/80/60W-H-MV-TCP(XX)-Y
Specification :	AC120-347V; 50/60Hz;		
	40W-30W-20W	80W-60W-40W	100W-80W-60W
Working Temp :	-40~45(°C)		
Power Factor :	0.9		
CRI(ra) :	>80		
Color :	Brown color		
Light Source :	Luminus SMD2835		
Lumen :	130LM/W		
Life Time :	50000 hrs		
Beam Angle :	150°		
Product Size:	10.06*10.06*2.73 inch		
IP :	IP65		
Application :	Garage, loading areas and drive-through...etc		
Warranty :	5 years		
Standard :	UL		
Color Temp :	3500K-4000K-5000K Changeable		



www.nexleds.ca



Email: sales@nexleds.ca

NEXLEDS[®]

NEXLEDS LTD

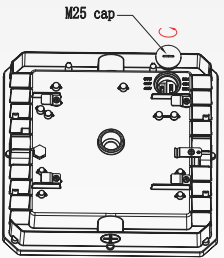
Feature:

- 1.Plug and Play sensor.
- 2.This canopy lamp is a special design for application in places like parking garage, car port, driveway, underpass, etc.
- 3.Fins design, advective grooves between fins are good for heat dissipation;
- 4.Professional light distribution technique, high light reflectivity reflectors, 150° beam angle available; Light transmission rate of lens is over 90%.
- 5.It complies with UL certification, safe and reliable.
- 6.Power tunable and CCT selective functions are available.
- 7.It can install EM driver, meanwhile, Customer can DIY the plug sensor.

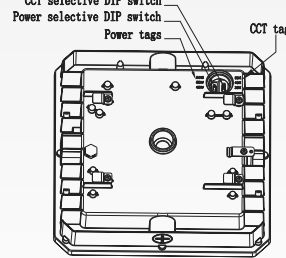
CCT & Wattage selectable:

Dimension:

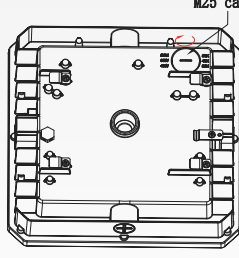
1. Before installation, unscrew the M25 cap counter-clockwise at the back of the lamp by slotted type screwdriver.

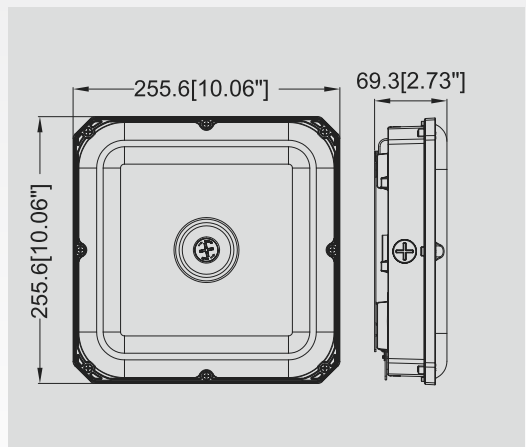


2. According to the tags, customer can select the corresponding power and CCT dip switch, dial to the required power (40W-30W-20W) (80W-60W-40W) (100W-80W-60W) and CCT (35K-40K-50K).



3. After finish the requires power and CCT adjustment, Tighten the M25 cap clockwise by slot type screwdriver.

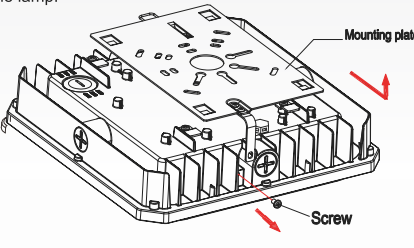




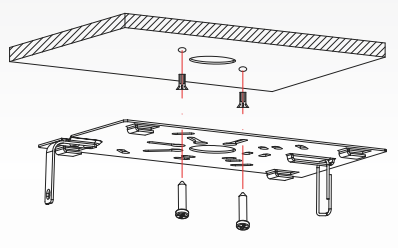
Install Instruction:

Ceiling Installation

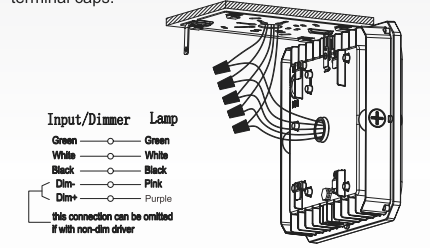
1. Loosen the screw to take off the mounting plate from the lamp.



2. Screw the mounting plate to the ceiling.



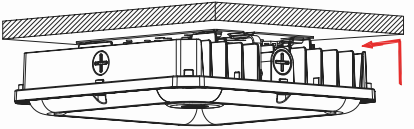
3. Hang the lamp on the ring so as to connect wires with terminal caps.



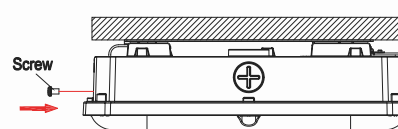
Input/Dimmer	Lamp
Green	Green
White	White
Black	Black
Dim-	Pink
Dim+	Purple

this connection can be omitted if with non-dim driver

4. Hook up lamp on the mounting plate.



5. Secure the screw. Installation completed.



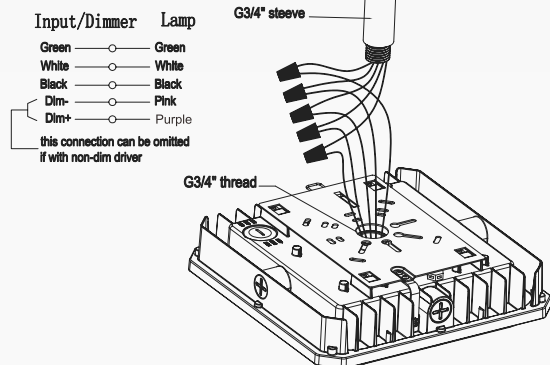
SPECIFICATION

NEXLEDS[®]

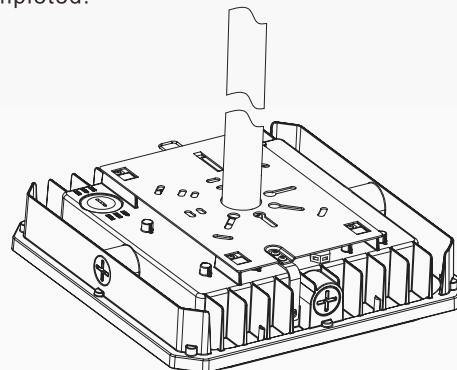
NEXLEDS LTD

Pole-pendant Installation

1. Connecting wires with terminal caps as picture shows.

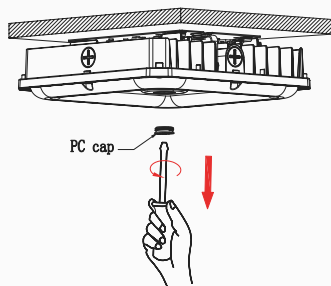


2. Rotating the sleeve to make it fixed with lamp. Installation completed.

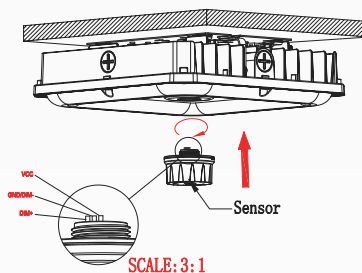


Plug sensor installation (Optional)

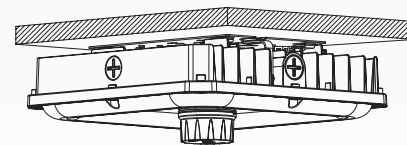
1. Unscrew the PC cap on the lampshade counter-clockwise with a flat-head screwdriver on the lamp which already installed.



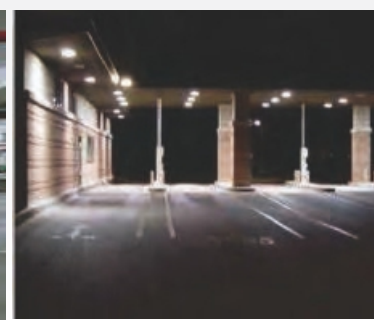
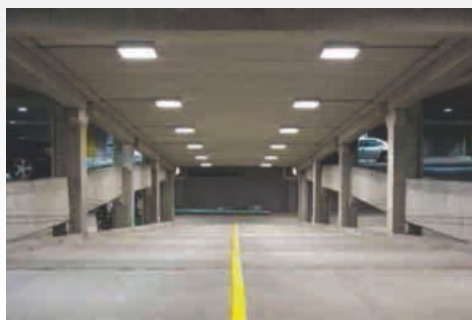
2. Screw the sensor clockwise by hands.



3. After tighten the sensor, lighting the lamp, if the sensor works well, the installation finish.



Application:



Safety Information:

1. Only persons qualified for electrical work should carry out electrical work.
2. All wiring should be performed after shutting off electricity or power to the lighting fixture.
3. Do Not disassemble or modify the LED CANOPY LIGHT.
4. Do Not drop the LED CANOPY LIGHT. Take precautions to ensure the LED CANOPY LIGHT does not experience any strong impact.
5. Keep this product Manual in a safe place for reference.
6. The manufacturer and/or the seller will not be held responsible for any damage caused to the LED CANOPY LIGHT by the user(s) during installation.
7. Be sure to ground the fixture.
8. Do Not Handle lamps soon after the light has been turned off.
9. Do Not use the LED CANOPY LIGHT near heating appliances/elements.