

SPECIFICATION

NEXLEDS®

NEXLEDS LTD



CSA C22.2 NO.141
COMPLIANT



2x5W  **140W**
Remote Capacity

LED EMERGENCY LIGHT

NX-EMBU12140/5W

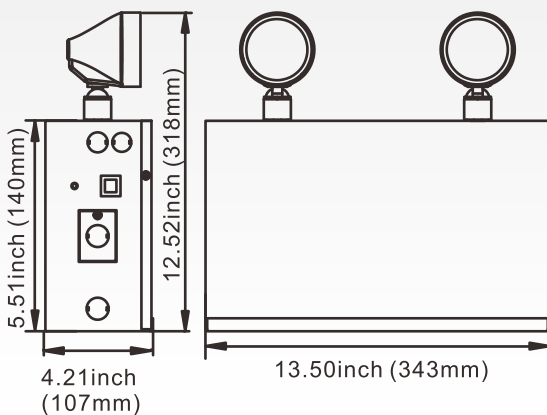
Specification

PRODUCT NAME :	LED EMERGENCY LIGHT
MODEL NO. :	NX-EMBU12140/5W
SPECIFICATION :	AC120/347V; 50/60Hz; 2*5W
REMOTE CAPACITY:	140W
WORKING TEMP :	5-30(°C)
POWER FACTOR :	0.95
CRI(RA) :	>85
COLOR :	White Color
LIGHT SOURCE :	SMD
LUMEN :	780 Lm
LIFE TIME :	50000 hrs
BATTERY :	120 mins
SELF-POWERED :	Lead Acid Battery 12V 12AH
PRODUCT SIZE :	13.5*4.21*12.52 inch
IP :	IP20
APPLICATION :	Shop, Hotel
WARRANTY :	5 years
STANDARD :	CUL
COLOR TEMP :	6500K

Feature:

- * Super Bright LED Light Source
- * 5W per head
- * 140W Remote Capacity
- * Combo heads adjustable
- * 127/347V universal voltage
- * Lead Acid Battery 12V 12AH
- * UL approved 1200 mins battery backup time
- * Universal Mounting: Ceiling mounting, Wall mounting and End mounting;
- * Suitable for damp locations

Product Dimension



Applications:

Suitable for commercial and institutional place:
Apartment, hotel, shop, office, school, hospital
...etc.



Warning:

1. For Indoor use ONLY.
2. Do not let power cords touch hot surfaces.
3. Do not install near gas or electric heaters.
4. Use caution when servicing batteries. Battery acid can cause burns to skin and eyes. If acid is spilled on skin or eyes, flush acid with fresh water and contact a physician immediately.
5. Equipment should be mounted in locations and at heights where unauthorized personnel will not readily subject it to tampering.
6. The use of accessory equipment not recommended by manufacturer, may cause an unsafe condition, and will void the unit's warranty.
7. Do not use this equipment for other than its intended purpose.
8. Servicing of this equipment should be performed by qualified service personnel.

