

# SPECIFICATION

# NEXLEDS®

NEXLEDS LTD



CSA C22.2 NO.141  
COMPLIANT



**2x5W**  **275W**  
*Remote Capacity*

## LED EMERGENCY LIGHT

**NX-EMBU12275/5W**

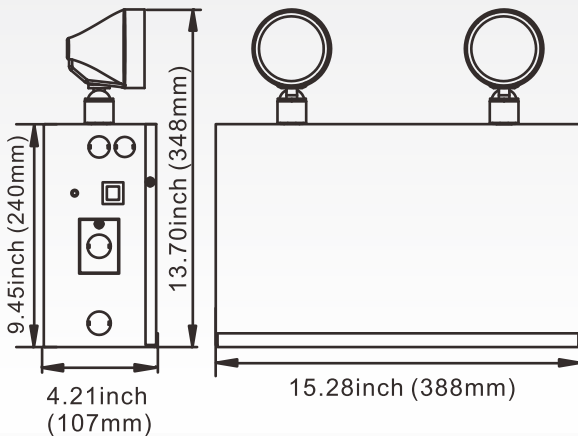
### Specification

PRODUCT NAME :	LED EMERGENCY LIGHT
MODEL NO. :	NX-EMBU12275/5W
SPECIFICATION :	AC120/347V; 50/60Hz; 2*5W
REMOTE CAPACITY:	275
WORKING TEMP :	5-30(°C)
POWER FACTOR :	0.95
CRI(RA) :	>85
COLOR :	White Color
LIGHT SOURCE :	SMD
LUMEN :	780 Lm
LIFE TIME :	50000 hrs
BATTERY :	Lead Acid Battery 2 *12V 12AH
SELF-POWERED :	120 mins
PRODUCT SIZE :	15.28*4.21*13.7 inch
IP :	IP20
APPLICATION :	Shop, Hotel
WARRANTY :	5 years
STANDARD :	CUL
COLOR TEMP :	6500K

## Feature:

- \* Super Bright LED Light Source
- \* 5W per head
- \* 275W Remote Capacity
- \* Combo heads adjustable
- \* 127/347V universal voltage
- \* Lead Acid Battery 2 \*12V 12AH
- \* UL approved 1200 mins battery backup time
- \* Universal Mounting: Ceiling mounting, Wall mounting and End mounting;
- \* Suitable for damp locations

## Product Dimension



## Applications:

Suitable for commercial and institutional place:  
Apartment, hotel, shop, office, school, hospital  
...etc.



## Warning:

1. For Indoor use ONLY.
2. Do not let power cords touch hot surfaces.
3. Do not install near gas or electric heaters.
4. Use caution when servicing batteries. Battery acid can cause burns to skin and eyes. If acid is spilled on skin or eyes, flush acid with fresh water and contact a physician immediately.
5. Equipment should be mounted in locations and at heights where unauthorized personnel will not readily subject it to tampering.
6. The use of accessory equipment not recommended by manufacturer, may cause an unsafe condition, and will void the unit's warranty.
7. Do not use this equipment for other than its intended purpose.
8. Servicing of this equipment should be performed by qualified service personnel.

