

SPECIFICATION

NEXLEDS[®]
NEXLEDS LTD



Twin heads Emergency Light

NX-EMMBBU-2.4W

Specification

PRODUCT NAME :	Twin heads Emergency Light NX-EMMBBU-2.4W
MODEL NO. :	AC120-347V~; 50/60Hz; 2W
SPECIFICATION :	-0~40(°C)
WORKING TEMP :	>80
CRI(RA) :	White Color
COLOR :	24pcs SMD 2835
LIGHT SOURCE :	>180LM
LIFE TIME :	50000 hrs
BATTERY :	Ni-CD battery (3.6V 1200mAh)
SELF-POWERED:	120mins
PRODUCT SIZE :	10.51*3.74*3.54 inch
IP :	Suitable for Damp Locations
APPLICATION :	Shop, Hotel ... etc
WARRANTY :	5 years warranty fixture, 2 years warranty battery
STANDARD :	cUL
COLOR TEMP :	5700K~7500K



www.nexleds.ca



Email: sales@nexleds.ca

NEXLEDS[®]

NEXLEDS LTD

Installation:

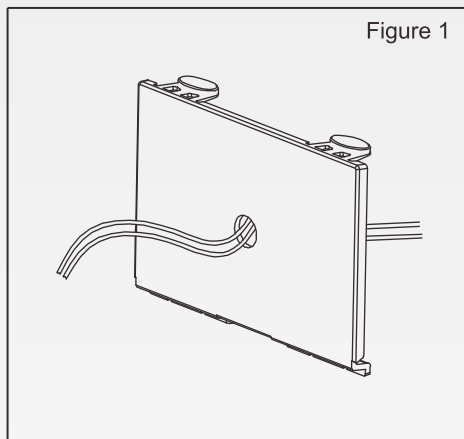


Figure 1

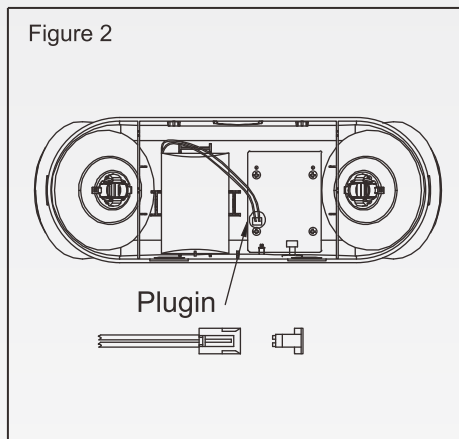


Figure 2

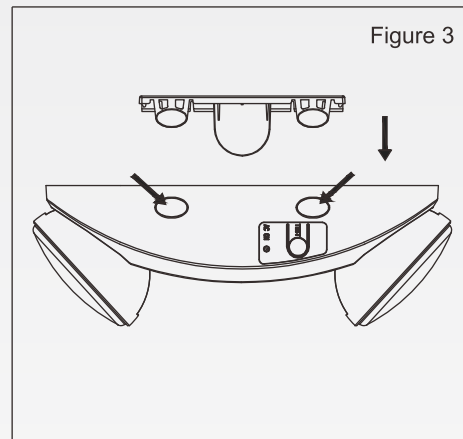
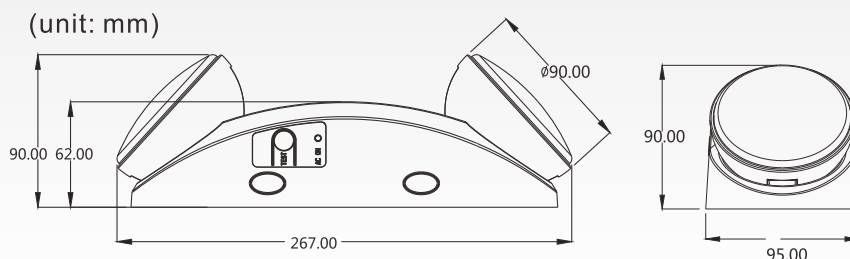


Figure 3

Installation Instructions J-Box Mounting

1. Feed fixture leads through main bottom case and connect AC power supply (Figure 1).
2. Connect wires through J-Box. Main bottom case on J-Box and secure with screws.
3. Connect battery only after continuous AC power can be provided to the unit (Figure 2).
4. Align snaps and push housing directly onto main bottom case (Figure 3).
Apply continuous AC power and press "TEST" button to check light.

Product Dimension



Applications:

Suitable for commercial and institutional place:
Apartment, hotel, shop, office, school, hospital...etc.



Hotel



Shop



Office