

# SPECIFICATION

# NEXLEDS®

NEXLEDS LTD



Video



CSA C22.2 NO.141:15  
COMPLIANT



2x5W



## LED EMERGENCY LIGHT

NX-EMBU1272/5W

### Specification

PRODUCT NAME :	LED EMERGENCY LIGHT
MODEL NO. :	NX-EMBU1272/5W
SPECIFICATION :	AC120/347V; 50/60Hz; 2*5W
WORKING TEMP :	5-30(°C)
POWER FACTOR :	0.95
CRI(RA) :	>85
COLOR :	White Color
LIGHT SOURCE :	SMD
LUMEN :	469 Lumens per head
LIFE TIME :	50000 hrs
BATTERY :	Lead Acid Battery 12V 7AH
SELF-POWERED :	90 mins
PRODUCT SIZE :	12.2*3.94*11.42 inch
IP :	IP20
APPLICATION :	Shop, Hotel
WARRANTY :	5 years fixture,3 years battery
STANDARD :	CSA
COLOR TEMP :	6500K



www.nexleds.ca



Email: sales@nexleds.ca

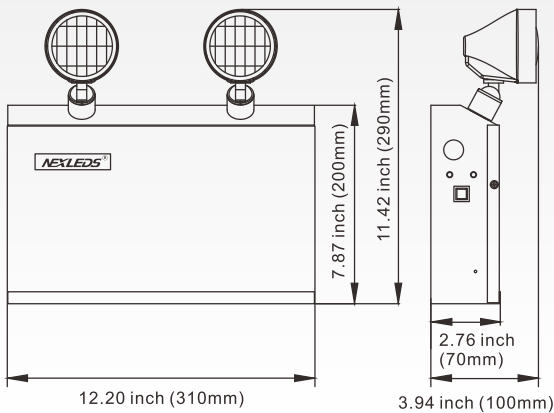
# NEXLEDS®

NEXLEDS LTD

## Feature:

- \* Super Bright LED Light Source
- \* 5W per head
- \* Combo heads adjustable
- \* 127/347V universal voltage
- \* Lead Acid Battery 12V7AH
- \* CSA approved 90 mins battery backup time
- \* Universal Mounting: Ceiling mounting, Wall mounting and End mounting;
- \* Suitable for damp locations

## Product Dimension



## Applications:

Suitable for commercial and institutional place:  
Apartment, hotel, shop, office, school, hospital  
...etc.



## Warning:

- Review the diagrams thoroughly before beginning.
- All electrical connections must be in accordance with local codes, ordinances and the National Electric Code.
- All unused wires must be capped to prevent shorting.
- Disconnect power at fuse or circuit breaker before installing or servicing.
- Do not use outdoors.
- Do not mount in hazardous locations or near gas or electric heaters.
- Do not let power cords touch hot surfaces.
- Equipment should be mounted in locations and at heights where it will not be subject to tampering by unauthorized personnel.
- The use of accessory equipment is not recommended by the manufacturer.
- Do not use this equipment other than intended use.
- All servicing should be performed by qualified personnel only.
- Allow battery to charge for 24hrs before first use.

